

2026
AM

XFUSION



Table of Contents

FORKS

SLANT	02
SWEEP Boost	04
SLIDE Boost	05
REZZA 29 Boost	06
TRACE 36	09
VENGEANCE 38	10
RV1 29 DH	13

SHOCKS

REZZA	15
O2 PRO R/RLX/RL/RLR	16-17
H3A	18
H3C	21

SEAT POSTS

Manic TA LC	22
Manic TA	23
Manic Gravel	24

Spec Chart	26-28
REMOTE SPEC.	29
Distributor and Service center	30

Product Use Chart

	GRAVEL	XC	TRAIL	ALL MOUNTAIN	FREERIDE	DH
26 INCH			SLANT			
27.5 INCH			SWEEP Boost			
29 INCH		REZZA 29 Boost	SLIDE Boost	TRACE 36	VENGEANCE 38	RV1_38mm
REAR SHOCKS		REZZA	O2 PRO	H3C	H3A	
POSTS	Manic Gravel		Manic TA LC			
			Manic TA			

Brake Size Chart

	STANDARD	MAX
REZZA 29 Boost SLANT SWEEP Boost SLIDE Boost TRACE 36	180 post mount	203mm
VENGEANCE 38 RV1_38mm	180 post mount 203 post mount	220mm

XFUSION Mission

Since 1999, XFUSION has obsessively focused on producing the highest performance, highest quality and highest value suspension products for mountain bikes.

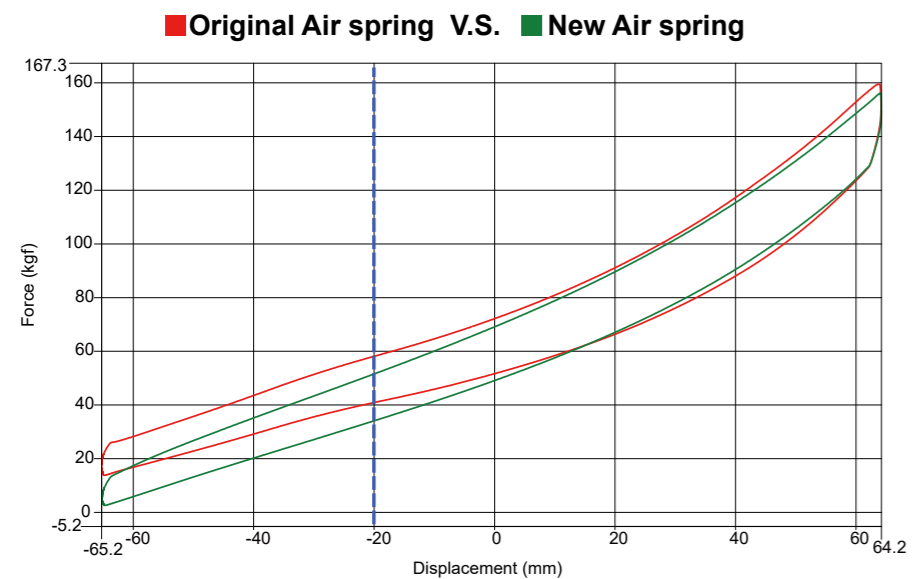
All new Finecut HLR damper

XFusion's Finecut HLR sets a new standard in suspension performance, combining cutting-edge technology with rider-proven results. Designed to deliver unmatched control, stability, and small bump compliance, the Finecut HLR has been rigorously tested by XFusion athletes throughout the 2024 season.

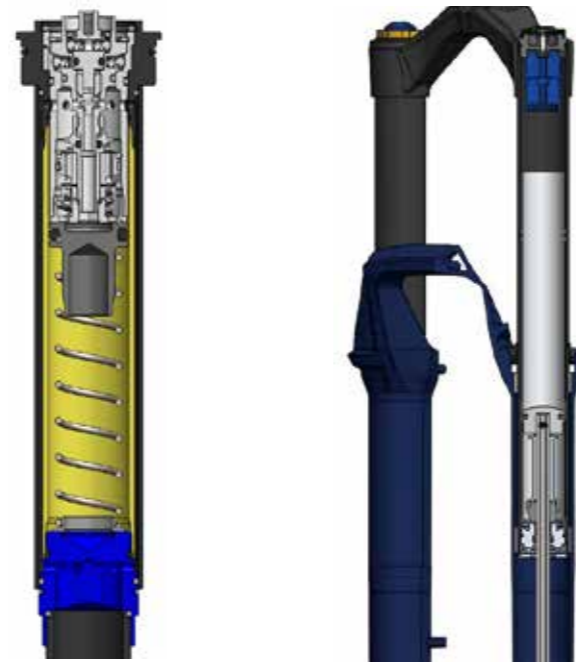
The new Finecut HLR features a larger damper tube, allowing for a bigger piston and increased piston flow. This advanced design enhances damping force, resulting in exceptional small bump sensitivity and improved overall damper stability. At its core is a revolutionary floating piston system, which balances internal pressure, reduces oil aeration, and ensures a smooth, consistent damping curve. Additionally, the sealed cartridge system has been carried over, providing quick and efficient serviceability to keep riders on the trails.

Optimized for Precision: High-speed and low-speed compression adjustments provide meaningful tuning with every click, while the refined rebound circuit offers a wider tuning range for greater control.

Uncompromising Stability: Improved oil flow dynamics and reduced cavitation deliver fade-free damping in the most demanding conditions.



More sensitive at the first stage.



ALL NEW REZZA SERIES

02

FORKS



03

FORKS

SLANT Series *For DJ bike and KID bike*

34mm Stanchion Tube 26 Inch Wheel Fork Up To 160mm of Travel

*Kid bike
tune for
26 & 24
kid bike*

Slant RC

Weight	4.2 pounds / 1900 grams
Wheel Size	26 inch
Travel	120mm, 140mm, 160mm
Stanchion	34mm Anodized aluminum
Spring	Air
Damper	RC Damper
Adjustments	Compression (open to firm), Rebound, Air spring
Steerer	Taper Standard
Axle	Lock-X 15mm
Options	RC Remote
Offset	40mm
Standard Colors	Matte Black, Gloss Black

Slant Roughcut HLR

Weight	4.2 pounds / 1900 grams
Wheel Size	26 inch
Travel	120mm, 140mm, 160mm
Stanchion	34mm Anodized aluminum
Spring	Air
Damper	Roughcut HLR
Adjustments	HS comp, LS comp, Rebound, Air spring
Steerer	Taper Standard
Axle	Lock-X 15mm
Offset	40mm
Standard Colors	Matte Black, Gloss Black

Slant Roughcut RCP

Weight	4.2 pounds / 1900 grams
Wheel Size	26 inch
Travel	120mm, 140mm, 160mm
Stanchion	34mm Anodized aluminum
Spring	Air
Damper	Roughcut RCP
Adjustments	Three position platform, LS comp, Rebound, Air spring
Steerer	Taper Standard
Axle	Lock-X 15mm
Offset	40mm
Standard Colors	Matte Black, Gloss Black



04

FORKS

SWEEP Series

34mm Stanchion Tube 27.5 Inch Wheel Fork Up To 160mm of Travel



Sweep RC

Weight	4.4 pounds / 2000 grams
Wheel Size	27.5 inch
Travel	120mm, 140mm, 160mm
Stanchion	34mm Anodized aluminum
Spring	Air
Damper	RC Damper
Adjustments	Compression(open to firm), Rebound, Air spring
Steerer	Taper Standard
Axle	Thru Axle 110x15mm Boost
Offset	46mm
Options	RC Remote

Sweep Roughcut HLR

Weight	4.4 pounds / 2000 grams
Wheel Size	27.5 inch
Travel	120mm, 140mm, 160mm
Stanchion	34mm Anodized aluminum
Spring	Air
Damper	Roughcut HLR
Adjustments	HS comp, LS comp, Rebound, Air spring
Steerer	Taper Standard
Axle	Thru Axle 110x15mm Boost
Offset	46mm

Sweep Roughcut RCP

Weight	4.4 pounds / 2000 grams
Wheel Size	27.5 inch
Travel	120mm, 140mm, 160mm
Stanchion	34mm Anodized aluminum
Spring	Air
Damper	Roughcut RCP
Adjustments	Three position platform, LS comp, Rebound, Air spring
Steerer	Taper Standard
Axle	Thru Axle 110x15mm Boost
Offset	46mm



SLIDE Series

34mm Stanchion Tube 29 Inch Wheel Fork Up To 140mm of Travel



Slide RC

Weight	4.4 pounds / 2000 grams
Wheel Size	29 inch
Travel	100mm, 120mm, 140mm
Stanchion	34mm Anodized aluminum
Spring	Air
Damper	RC Damper
Adjustments	Compression(open to firm), Rebound, Air spring
Steerer	Taper Standard
Axle	Thru Axle 110x15mm Boost
Offset	51mm & 44mm
Options	RC Remote

Slide Roughcut HLR

Weight	4.4 pounds / 2000 grams
Wheel Size	29 inch
Travel	100mm, 120mm, 140mm
Stanchion	34mm Anodized aluminum
Spring	Air
Damper	Roughcut HLR
Adjustments	HS comp, LS comp, Rebound, Air spring
Steerer	Taper Standard
Axle	Thru Axle 110x15mm Boost
Offset	51mm & 44mm

Slide Roughcut RCP

Weight	4.4 pounds / 2000 grams
Wheel Size	29 inch
Travel	100mm, 120mm, 140mm
Stanchion	34mm Anodized aluminum
Spring	Air
Damper	Roughcut RCP
Adjustments	Three position platform, LS comp, Rebound, Air spring
Steerer	Taper Standard
Axle	Thru Axle 110x15mm Boost
Offset	51mm & 44mm

05

FORKS

06

FORKS

REZZA Series

NEW FOR MY27

34mm Stanchion Tube 29 Inch Wheel Fork Up To 120mm of Travel



REZZA Finecut RL2

Weight	1520 grams
Wheel Size	29 inch
Travel	100mm-120mm
Stanchion	34mm
Spring	Air
Damper	Finecut Damper
Adjustments	2 Position/RL
Steerer	1.5" Tapered
Axle	Thru Axle 110x15mm Boost
Offset	44mm
Standard Colors	Matte Black, Gloss Black

REZZA Finecut RCP

Weight	1520 grams
Wheel Size	29 inch
Travel	100mm-120mm
Stanchion	34mm
Spring	Air
Damper	Finecut Damper
Adjustments	2 Position/RL
Steerer	1.5" Tapered
Axle	Thru Axle 110x15mm Boost
Offset	44mm
Standard Colors	Matte Black, Gloss Black



REZZA Finecut RLR

Weight	1520 grams
Wheel Size	29 inch
Travel	100mm-120mm
Stanchion	34mm
Spring	Air
Damper	Finecut Damper
Adjustments	2 Position/RL
Steerer	1.5" Tapered
Axle	Thru Axle 110x15mm Boost
Options	Q Flip 2
Offset	44mm
Standard Colors	Matte Black, Gloss Black

REZZA Finecut RCPR

Weight	1520 grams
Wheel Size	29 inch
Travel	100mm-120mm
Stanchion	34mm
Spring	Air
Damper	Finecut Damper
Adjustments	2 Position/RL
Steerer	1.5" Tapered
Axle	Thru Axle 110x15mm Boost
Options	Q Flip 2
Offset	44mm
Standard Colors	Matte Black, Gloss Black



Q Flip 2 Remote



07

FORKS



TRACE 36 Series

36mm Stanchion Tube 29 Inch Wheel Fork Up To 170mm of Travel



Trace 36 RC

Weight	4.4 pounds / 2000 grams
Wheel Size	29 inch
Travel	140mm, 160mm, 170mm
Stanchion	36mm Anodized aluminum
Spring	Coil(Soft, Standard, Firm), Air spring
Damper	RC Damper
Adjustments	Compression(Open to Firm), Rebound, Air spring or Preload spring
Steerer	Taper Standard
Axle	Thru Axle 110x15mm Boost
Offset	51mm & 44mm
Options	RC Remote

Trace 36 Roughcut HLR

Weight	4.4 pounds / 2000 grams
Wheel Size	29 inch
Travel	140mm, 160mm, 170mm
Stanchion	36mm Anodized aluminum
Spring	Coil(Soft, Standard, Firm), Air spring
Damper	Roughcut HLR
Adjustments	HS comp, LS comp, Rebound, Air spring or Preload spring
Steerer	Taper Standard
Axle	Thru Axle 110x15mm Boost
Offset	51mm & 44mm

Trace 36 Roughcut RCP

Weight	5.3 pounds / 2400 grams
Wheel Size	29 inch
Travel	140mm, 160mm, 170mm
Stanchion	36mm Anodized aluminum
Spring	Coil(Soft, Standard, Firm), Air spring
Damper	Roughcut RCP
Adjustments	3 Positions platform, LS comp, Rebound, Air spring or Preload spring
Steerer	Taper Standard
Axle	Thru Axle 110x15mm Boost
Offset	51mm & 44mm

*Second Back Up Spring For Bottom Out Control
*10mm Travel Adjustment

10

FORKS



VENGEANCE Series

NEW FOR MY27

38mm Stanchion Tube 29 Inch Wheel Fork Up To 180mm of Travel



VENGEANCE 38 Finecut HLR

Weight	2460 grams
Wheel Size	29 inch
Travel	160mm, 170mm, 180mm
Stanchion	38mm Anodized aluminum
Spring	Air
Damper	Finecut HLR
Adjustments	HS comp, LS comp, Rebound, Air spring
Steerer	Taper Standard
Axle	Thru Axle 110x15mm Boost
Offset	51mm & 44mm



11

FORKS



12

FORKS



13

FORKS

RV1 29 DH Series NEW FOR MY27

38mm Stanchion Tube 29 Inch Wheel Fork Up To 200mm of Travel



RV1 38mm Finecut HLR

Weight	2950 grams
Wheel Size	29 inch
Travel	200mm
Stanchion	38mm Anodized aluminum
Spring	Air
Damper	Finecut HLR
Adjustments	HS comp, LS comp, Rebound, Air spring
Steerer	1-1/8th
Axle	Thru Axle 110x20mm Boost
Offset	56mm & 46mm



XFUSION REZZA Shock

Lightweight Precision for XC Performance

The all-new Rezza redefines XC suspension with cutting-edge technology and a lightweight design that is 10% lighter than our O2 PRO. It delivers the perfect balance of efficiency, support, and control for cross-country riders who demand the best.

Designed with a completely new damper system, the Rezza provides greater support in the final stroke, keeping you stable and composed on technical descents while maintaining efficiency on climbs. A larger negative air chamber improves small-bump sensitivity for a smoother ride, while the new adjustable negative volume spacer allows riders to fine-tune sag position to match their riding style.

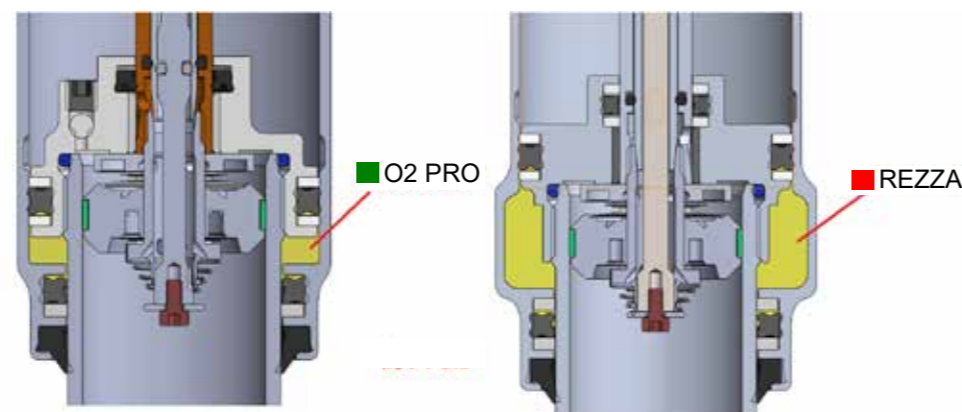
Available in metric and trunnion sizing, the Rezza comes in multiple configurations to suit every rider's needs. Choose from:

- RL – Rebound & Lockout
- RLX – Rebound & 3-Position Compression
- RLR – Rebound, Lockout & Lock with a new remote system
- RLXR – Rebound, 3-Position Compression & Lockout with a new remote system

With a sleek new design and refined damping performance, the Rezza is built for XC riders who expect more from their suspension. Whether charging to the finish line or pushing limits on the trail, this shock is ready to perform.



Greater support in the final stroke.



REZZA Series

NEW FOR MY27

High-Performance XC Air Shock



REZZA RL
 Weight: 250 grams
 Spring: Air
 Adjustments: Rebound, Lockout, Air pressure
 Sizes: Metric and Trunnion
 Options: Polymer Hardware

REZZA RLX
 Weight: 250 grams
 Spring: Air
 Adjustments: 3 Pos Comp Adjust, Rebound, Air pressure
 Sizes: Metric and Trunnion
 Options: Polymer Hardware

REZZA RLR
 Weight: 250 grams
 Spring: Air
 Adjustments: Q Flip Remote Lockout, Rebound, Air pressure
 Sizes: Metric and Trunnion
 Options: Polymer Hardware

REZZA RLXR
 Weight: 250 grams
 Spring: Air
 Adjustments: Q Flip Remote 3-Pos Comp Adjust, Rebound, Air pressure
 Sizes: Metric and Trunnion
 Options: Polymer Hardware



Q Flip 2 Remote



02 PRO Series

High-Performance All CNC-Machined Aluminum Air Shock



02 Pro R
 Weight 265 grams
 Spring Air
 Adjustments Rebound, Air pressure
 Sizes All Standard, Metric and Trunnion
 Options AV Air Sleeve, Polymer Hardware

02 Pro RL
 Weight 265 grams
 Spring Air
 Adjustments Lockout, Rebound, Air pressure
 Sizes All Standard, Metric and Trunnion
 Options AV Air Sleeve, Polymer Hardware

02 Pro RLX
 Weight 265 grams
 Spring Air
 Adjustments 3 Pos. Comp Adjust, Rebound, Air pressure
 Sizes All Standard, Metric and Trunnion
 Options AV Air Sleeve, Polymer Hardware



02 Pro RLR

Weight 265 grams
 Spring Air
 Adjustments Q Flip Remote Lockout, Rebound, Air pressure
 Sizes All Standard, Metric and Trunnion
 Options AV Air Sleeve, Polymer Hardware



Q Flip Remote



3pcs



7pcs



18

SHOCKS



H3A Series

New piggyback Air shock, 3 positions platform, low speed, rebound

H3A HLR

Weight	545 grams
Spring	Air
Adjustments	HS comp, LS comp, Rebound
Sizes	Metric, Trunnion
Options	Polymer Hardware

H3A RCP

Weight	515 grams
Spring	Air
Adjustments	3 positions platform, Low speed, Rebound
Sizes	Metric, Trunnion
Options	Polymer Hardware



19

SHOCKS





H3C Series

New piggyback Coil shock, Three positions platform, low speed, rebound



H3C HLR

Weight 350 grams(w/o spring)
 Spring Coil
 Adjustments HS comp, LS comp, Rebound
 Sizes Metric & Trunnion
 Options Polymer Hardware

H3C RCP

Weight 318 grams(w/o spring)
 Spring Coil
 Adjustments Three positions platform, Low speed, Rebound
 Sizes Metric, Trunnion
 Options Polymer Hardware



22

SEAT POSTS

MANIC TA LC Series

NEW FOR MY27

Full range dropper seat posts line with internal routing



100mm Travel 100mm
 Weight 497 grams(30.9mm)
 Sizes 30.9mm, 31.6mm, 34.9mm
 Note Internal cable routing only

150mm Travel 150mm
 Weight 603 grams(30.9mm)
 Sizes 30.9mm, 31.6mm, 34.9mm
 Note Internal cable routing only

125mm Travel 125mm
 Weight 530 grams(30.9mm)
 Sizes 30.9mm, 31.6mm, 34.9mm
 Note Internal cable routing only

170mm Travel 170mm
 Weight 636 grams(30.9mm)
 Sizes 30.9mm, 31.6mm, 34.9mm
 Note Internal cable routing only



23

SEAT POSTS

MANIC TA Series

NEW FOR MY27

Full range dropper seat posts line with internal routing



100mm Travel 100mm
 Weight 416 grams(30.9mm)
 Sizes 27.2mm, 30.9mm, 31.6mm and 34.9mm
 Note Internal cable routing only

200mm Travel 200mm
 Weight 595 grams(30.9mm)
 Sizes 30.9mm, 31.6mm and 34.9mm
 Note Internal cable routing only

125mm Travel 125mm
 Weight 459 grams(30.9mm)
 Sizes 30.9mm, 31.6mm and 34.9mm
 Note Internal cable routing only

215mm Travel 215mm
 Weight 623 grams(30.9mm)
 Sizes 30.9mm,31.6mm and 34.9mm
 Note Internal cable routing only

150mm Travel 150mm
 Weight 521 grams(30.9mm)
 Sizes 30.9mm, 31.6mm and 34.9mm
 Note Internal cable routing only

230mm Travel 230mm
 Weight 653 grams(30.9mm)
 Sizes 30.9mm,31.6mm and 34.9mm
 Note Internal cable routing only

170mm Travel 170mm
 Weight 550 grams(30.9mm)
 Sizes 30.9mm, 31.6mm and 34.9mm
 Note Internal cable routing only



24

SEAT POSTS

MANIC GRAVEL Series

50mm

Travel	50mm
Weight	420 grams
Sizes	27.2mm
Remote	New two ways control remote system

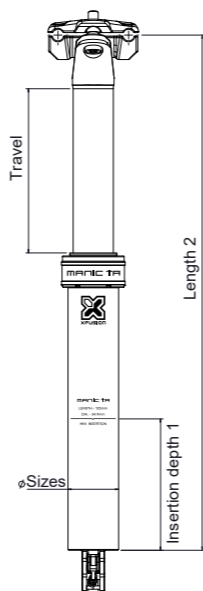


25

SEAT POSTS

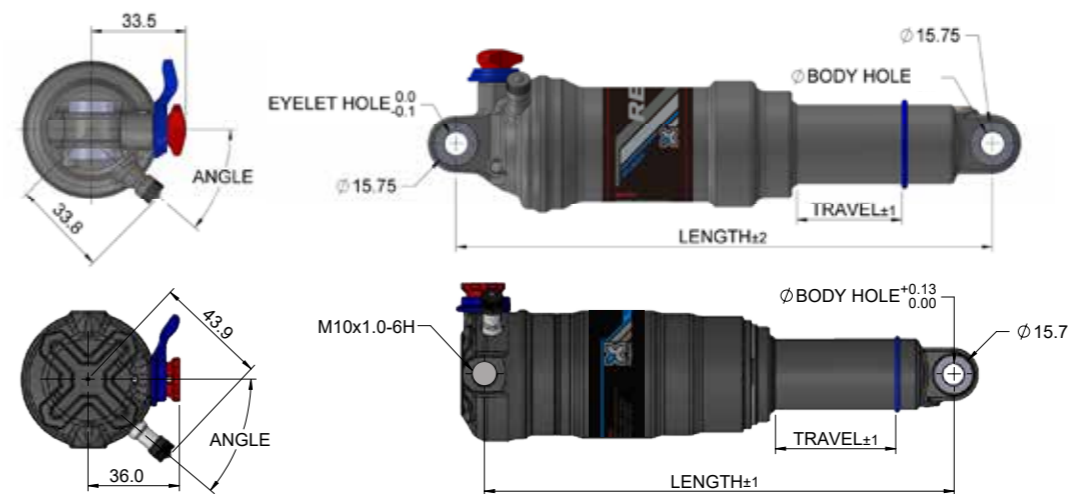


Posts	Category	Insertion Depth 1	Length 2	Sizes	Travel
Manic 50mm	Gravel	100/110/120mm	315/350/380mm	27.2	50mm
Manic TA LC 100mm	XC/Trail	80mm	310mm	30.9/31.6/34.9	100mm
Manic TA LC 125mm	XC/Trail/AM	90mm	361mm	30.9/31.6/34.9	125mm
Manic TA LC 150mm	XC/Trail/AM	100mm	425mm	30.9/31.6/34.9	150mm
Manic TA LC 170mm	XC/Trail/AM	140mm	469mm	30.9/31.6/34.9	170mm
Manic TA 100mm	XC/Trail	110mm	350mm	27.2	100mm
Manic TA 100mm	XC/Trail	80mm	310mm	30.9/31.6/34.9	100mm
Manic TA 125mm	XC/Trail/AM	90mm	361mm	30.9/31.6/34.9	125mm
Manic TA 150mm	XC/Trail/AM	100mm	425mm	30.9/31.6/34.9	150mm
Manic TA 170mm	XC/Trail/AM	130mm	469mm	30.9/31.6/34.9	170mm
Manic TA 200mm	XC/Trail/AM	150mm	531mm	30.9/31.6/34.9	200mm
Manic TA 215mm	XC/Trail/AM	160mm	567mm	30.9/31.6/34.9	215mm
Manic TA 230mm	XC/Trail/AM	170mm	603mm	30.9/31.6/34.9	230mm



SEAT POST II

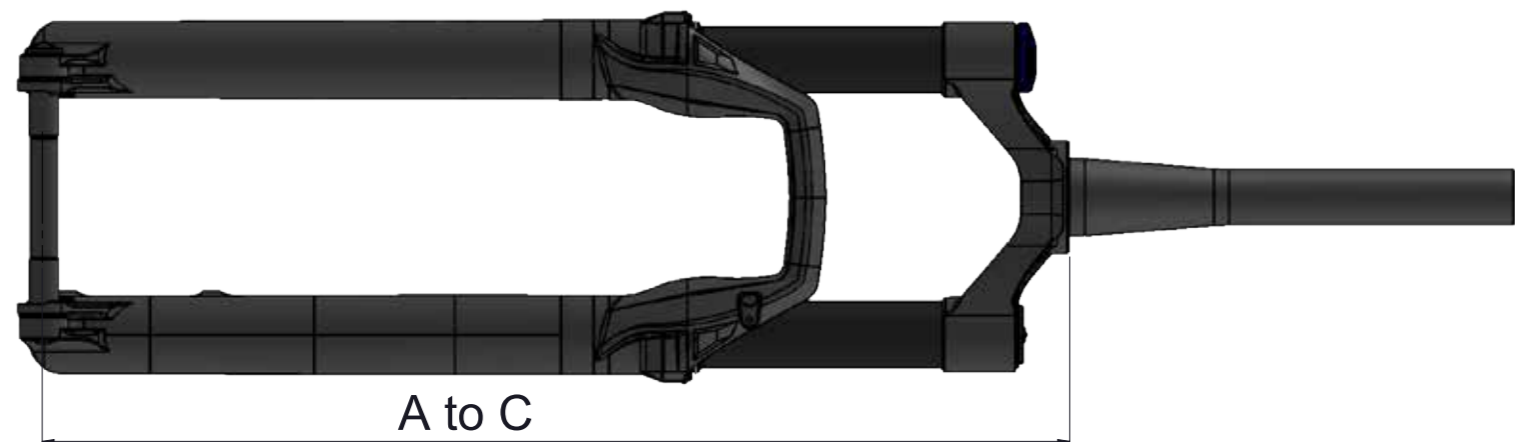
POSTS				
Family	MANIC GRAVEL	MANIC TA LC	MANIC TA	
Model	Manic 50mm	Manic TA LC	Manic TA 100mm	Manic TA 125/150/170/200/215/230mm
Category	Gravel	XC/Trail/AM	XC/Trail/AM	XC/Trail/AM
Travel	50mm Infinite Adjust	100, 125, 150, 170mm infinite adjust	100mm infinite adjust	125, 150, 170, 200, 215, 230mm infinite adjust
Weight Target	420g	497g(30.9/100mm), 530g(30.9/125mm), 603g(30.9/150mm), 636g(30.9/170mm)	416g(30.9)	459g(30.9/125mm), 521g(30.9/150mm), 550g(30.9/170mm), 595g(30.9/200mm), 623g(30.9/215mm), 653g(30.9/230mm)
Outer Post Material	Aluminum	Aluminum	Aluminum	
Small Inner Shaft Material	Black Ano	Black Ano	Black Ano	
OD	27.2mm	30.9mm, 31.6mm, 34.9mm	27.2mm, 30.9mm, 31.6mm, 34.9mm	30.9mm, 31.6mm, 34.9mm
Color	Black	Black	Black	Black
Remote	New two ways control remote system			
Notes	Internal cable routing only	Internal cable routing only	Internal cable routing only	Internal cable routing only



SHOCK II

SHOCKS												
Family	REZZA Series				O2 PRO Series				H3C Series		H3A Series	
Model	REZZA RL	REZZA RLX	REZZA RLR	REZZA RLXR	O2 PRO R	O2 PRO RL	O2 PRO RLX	O2 PRO RLR	RCP	HLR	RCP	HLR
Category	XC/Trail				XC/Trail/AM				XC/Trail/AM	DH	XC/Trail/AM	DH
Target Wt. Lbs/Grams	190(250g)				165(265g), 184 AV(297g)	165(265g), 184 AV(297g)	165(265g), 200 AV(300g)	165(265g), 200 AV(300g)	318g(w/o spring)	350g(w/o spring)	515g(w/o spring)	545g(w/o spring)
Spring	Air				Air				Coil		Air	
Adjustments	Rebound, Lockout	Rebound, 3 Positions Comp.	Rebound, Lockout	Rebound, 3 Positions Comp.	Rebound	Rebound, Lockout	Rebound, 3 Positions Comp.	Rebound, Lockout	3 Positions platform, LS comp, Rebound	HS comp, LS comp, Rebound	3 Positions platform, LS comp, Rebound	HS comp, LS comp, Rebound
Options												
Poly Hardware	Y	Y	Y	Y	Y	Y	Y	Y	Y	Y	Y	Y
AV Sleeve					Y	Y	Y	Y				
Remote Lockout			Q Flip 2	Q Flip 2				Q Flip				

REAR SHOCK SIZE CHART								
Standard Mount			Metric Mount			Trunnion Mount		
Eye to Eye	Stroke	Model	Eye to Eye	Stroke	Model	Eye to Eye	Stroke	Model
165	38	O2 PRO	170	30/35	O2 PRO/REZZA	145	30/35	O2 PRO/REZZA
184	44	O2 PRO	190	40/45	O2 PRO/REZZA	165	40/45	O2 PRO/REZZA
190	51	O2 PRO	210	50/55	O2 PRO/H3C/H3A/REZZA	185	50/55	O2 PRO/H3C/H3A/REZZA
200	51	O2 PRO	230	60/65	O2 PRO/H3C/H3A	205	60/65	O2 PRO/H3C/H3A
200	56	O2 PRO	250	75	H3C / H3A	225	75	H3C / H3A
215	63	O2 PRO						



FORK TECH DOCUMENT

26 Inch Forks	Category	Wheel Size	Stanchion	Spring	Travel	A to C	Max tire	Offset	Steerer										Style	Rotor Size
									1-1/8" ALUMINUM	1.5"-1-1/8" TAPER	9mm DR	15x100	15x110	20x110	12x100	Disc Mount	Min	Max		
SLANT	XC/Trail	26"	34mm	Air	100-160	546mm/160mm	62x705	40		v		v						180		
27.5 Inch Forks	Category	Wheel Size	Stanchion	Spring	Travel	A to C	Max Tire	Offset	Steerer										Style	Rotor Size
Sweep Boost	XC/Trail	27.5"	34mm	Air	120-160	551mm/160mm	63x723	46		v		v						180		
29 Inch Forks	Category	Wheel Size	Stanchion	Spring	Travel	A to C	Max Tire	Offset	Steerer										Style	Rotor Size
REZZA 29 Boost	XC/Trail	29"	34mm	Air	100-120	531mm/120mm	68x759	44		v		v						180		
SLIDE Boost	XC/Trail	29"	34mm	Air	100-140	551mm/140mm	68x760	44&51		v		v						180		
TRACE 36	Trail/AM/FR	29"	36mm	Air	140-170	581mm/170mm	68x760	44&51		v		v						180		
VENGEANCE 38	Trail/AM/FR	29"	38mm	Air	160-180	596mm/180mm	68x762	44&51		v		v						180		
RV1 38mm	AM/FR/DH	29"	38mm	Air	200	610mm/200mm	68x762	46&56	v				v					203		

SUSPENSION REMOTE SEPC.

Remote Number	Remote type	Photo of remote MANIC	Material	FORK	SHOCK	SEAT POST	I-SPEC 2	I-SPEC EV	MMX
1	Q FLIP		AL	✓	✓				
2	Q FLIP 2		AL	✓	✓		✓	✓	✓
3	Q FLIP 3		AL	✓	✓	✓	✓	✓	✓

DROPPER REMOTE SEPC.

Remote Number	Remote type	Photo of remote MANIC	Material	Angle adjustable	MANIC	MANIC LC	MANIC GRAVEL	I-SPEC 2	I-SPEC EV	MMX
1	TYPE A+		AL	✓	✓	✓				
2	TYPE P+		Plastic	✓	✓	✓				
3	TYPE A		AL		✓	✓		✓	✓	✓
4	TYPE P		Plastic		✓	✓		✓	✓	✓
5	TYPE LC		Plastic		✓	✓				
6	TYPE GR		AL				✓			

XFUSION
XFUSIONSHOX.COM



A-PRO TECH CO., LTD.

No. 100, Nanbei 1st Road, Dajia District,
Taichung City 437, Taiwan

TEL : +886 4 2688-6555

OE: OscarChen@aprotek.com.tw

AM: TiticHuang@aprotek.com.tw