

**2027 AM**

**XFUSION**

**PERFORMANCE SUSPENSION**



# Table of Contents

## FORKS

ROAMIN 20 / 24	02
REZZA Boost	04
SLIDE Boost	06
SWEEP Boost	07
SLANT	08
TRACE 36	09
VENGEANCE 38	10
RV1 38 DH	13
GET30	14

## SHOCKS

REZZA	17
O2 PRO R/RLX/RL/RLR	18
H3A	20
H3C	22

## SEAT POSTS

E-Manic 2	25
Manic TA LC / Manic LC	26
Manic TA / Manic	27
Manic TA SL / Manic Gravel	28

REMOTE	29
Spec Chart	30
Distributor and Service center	34

## Product Use Chart

	KID	CITY&CARGO	GRAVEL	XC	TRAIL	ALL MOUNTAIN	FREERIDE	DH
20 INCH								
	ROAMIN 20							
24 INCH								
	ROAMIN 24							
26 INCH					SLANT			
27.5 INCH					SWEEP Boost			
29 INCH				REZZA 29 Boost				
					SLIDE Boost			
						TRACE 36		
						VENGEANCE 38		
700C			GET30					
REAR SHOCKS				REZZA				
					O2 PRO			
						H3C		
						H3A		
POSTS			Manic Gravel					
				Manic LC / Manic TA LC				
				Manic / Manic TA				
				Manic TA SL				
				E-Manic 2				

## Brake Size Chart

	STANDARD	MAX
GET 30 / 32"	160 post mount	180mm
ROAMIN 20 ROAMIN 24	160 post mount	203mm
REZZA 29 Boost / 32"	180 post mount	
SLANT		
SWEEP Boost SLIDE Boost TRACE 36		
VENGEANCE 38 RV1_38mm	180 post mount 203 post mount	220mm

# XFUSION Mission

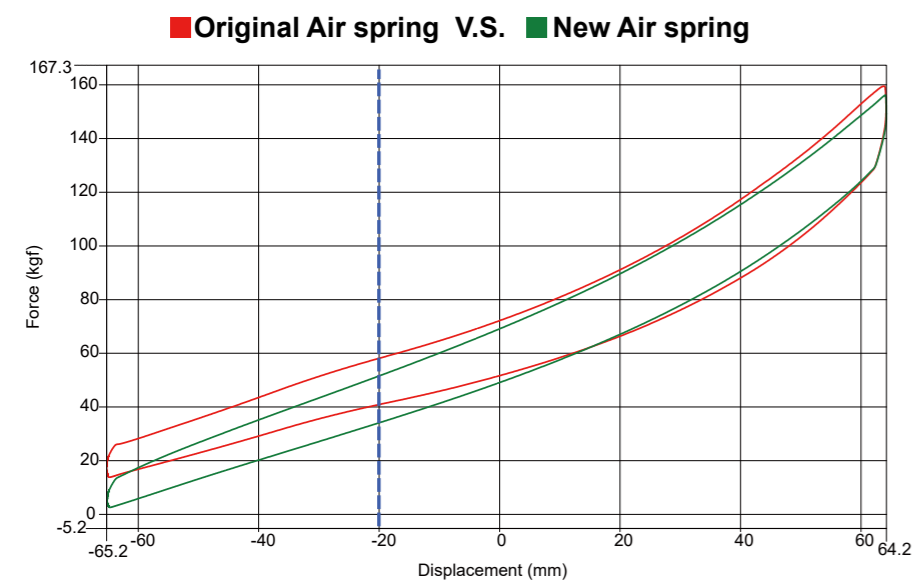
Since 1999, XFUSION has obsessively focused on producing the highest performance, highest quality and highest value suspension products for mountain bikes.

# New Finecut HLR damper

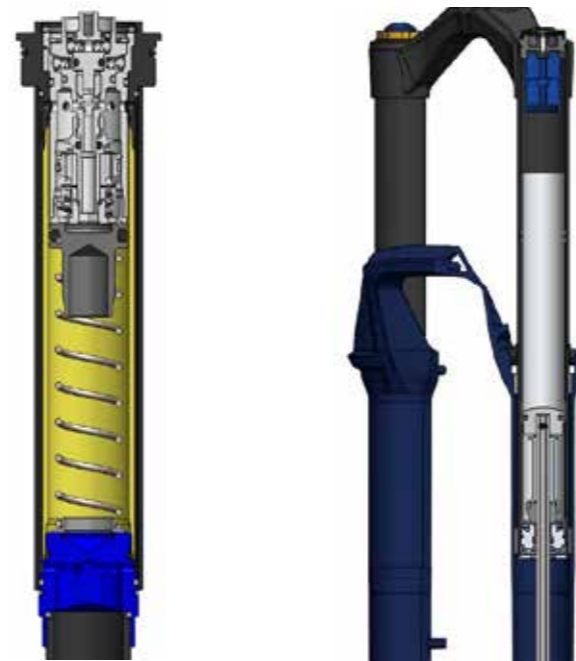
The new Finecut HLR features a larger damper tube, allowing for a bigger piston and increased piston flow. This advanced design enhances damping force, resulting in exceptional small bump sensitivity and improved overall damper stability. At its core is a revolutionary floating piston system, which balances internal pressure, reduces oil aeration, and ensures a smooth, consistent damping curve. Additionally, the sealed cartridge system has been carried over, providing quick and efficient serviceability to keep riders on the trails.

**Optimized for Precision:** High-speed and low-speed compression adjustments provide meaningful tuning with every click, while the refined rebound circuit offers a wider tuning range for greater control.

**Uncompromising Stability:** Improved oil flow dynamics and reduced cavitation deliver fade-free damping in the most demanding conditions.



More sensitive at the first stage.



# ROAMIN Series NEW

32mm Stanchion Tube 20 Inch Wheel Fork Up To 120mm of Travel

**ROAMIN 20**

Weight	1720 grams
Wheel Size	20 inch
Travel	80-120mm
Stanchion	32mm Anodized aluminum
Spring	Air
Damper	RC Damper
Adjustments	Lockout, Rebound, Air spring
Steerer	Taper Standard
Axle	Thru Axle 110x15mm Boost
Offset	40mm
Standard Colors	Matte black, Gloss Blue



34mm Stanchion Tube 24 Inch Wheel Fork Up To 160mm of Travel

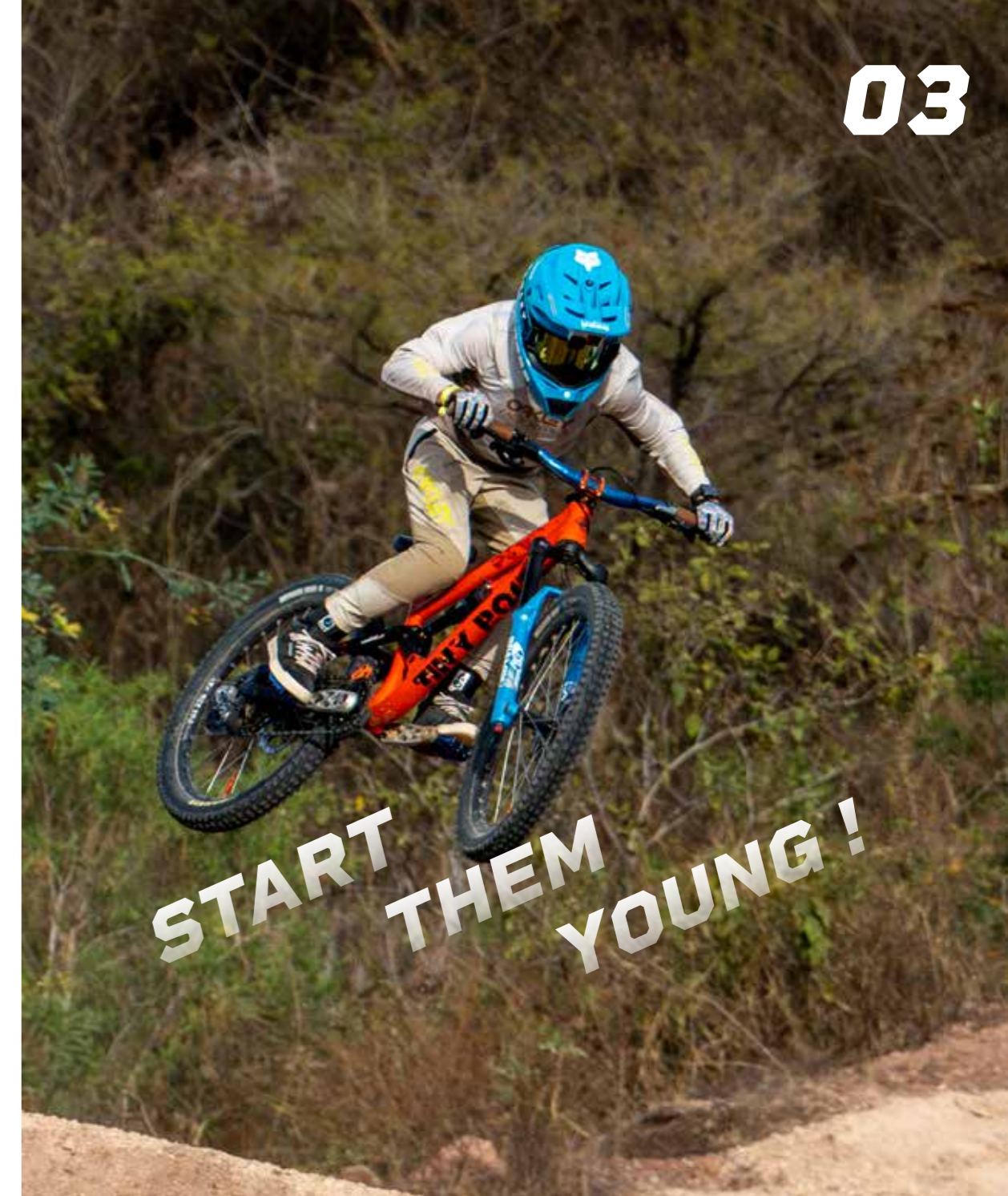
**ROAMIN 24**

Weight	1898 grams
Wheel Size	24 inch
Travel	100-160mm
Stanchion	34mm Anodized aluminum
Spring	Air
Damper	RC Damper
Adjustments	Lockout, Rebound, Air spring
Steerer	Taper Standard
Axle	Thru Axle 110x15mm Boost
Offset	41mm
Standard Colors	Matte black, Gloss Blue



**JUVENILE/20 INCH**

- JUNIOR
- CITY
- XC
- AM
- FR
- DH
- DIRT
- GRAVEL



**START THEM YOUNG!**

- JUNIOR
- CITY
- XC
- AM
- FR
- DH
- DIRT
- GRAVEL

# REZZA Series

34mm Stanchion Tube 29 Inch Wheel Fork Up To 130mm of Travel



### REZZA Finecut RL2

Weight	1590 grams
Wheel Size	29 inch
Travel	100mm-130mm
Stanchion	34mm
Spring	Air
Damper	Finecut Damper
Adjustments	2 Position/RL
Steerer	1.5" Tapered
Axle	Thru Axle 110x15mm Boost
Offset	44mm
Standard Colors	Matte Black, Gloss Blue

### REZZA Finecut RCP

Weight	1590 grams
Wheel Size	29 inch
Travel	100mm-130mm
Stanchion	34mm
Spring	Air
Damper	Finecut Damper
Adjustments	Three position platform, LS Rebound
Steerer	1.5" Tapered
Axle	Thru Axle 110x15mm Boost
Offset	44mm
Standard Colors	Matte Black, Gloss Blue



### REZZA Finecut RLR

Weight	1590 grams
Wheel Size	29 inch
Travel	100mm-130mm
Stanchion	34mm
Spring	Air
Damper	Finecut Damper
Adjustments	Lock-out / Rebound
Steerer	1.5" Tapered
Axle	Thru Axle 110x15mm Boost
Options	Q Flip 2
Offset	44mm
Standard Colors	Matte Black, Gloss Blue

### REZZA Finecut RCPR

Weight	1590 grams
Wheel Size	29 inch
Travel	100mm-130mm
Stanchion	34mm
Spring	Air
Damper	Finecut Damper
Adjustments	Three position platform, LS Rebound
Steerer	1.5" Tapered
Axle	Thru Axle 110x15mm Boost
Options	Q Flip 2
Offset	44mm
Standard Colors	Matte Black, Gloss Blue



Q Flip 3 Remote  
Three position 4.7+4.7 Travel  
WEIGHT: 71g

**XC/CROSS COUNTRY**



**BUILT FOR SPEED**

# 06



## SLIDE Series

34mm Stanchion Tube 29 Inch Wheel Fork Up To 140mm of Travel



<b>Slide RC</b>	Weight	4.4 pounds / 2000 grams
	Wheel Size	29 inch
	Travel	100mm, 120mm, 140mm
	Stanchion	34mm Ano aluminum
	Spring	Air
	Damper	RC Damper
	Adjustments	Compression(open to firm), Rebound, Air spring
	Steerer	Taper Standard
	Axle	Thru Axle 110x15mm Boost
	Offset	51mm & 44mm
	Options	RC Remote
<b>Slide Roughcut HLR</b>	Weight	4.4 pounds / 2000 grams
	Wheel Size	29 inch
	Travel	100mm, 120mm, 140mm
	Stanchion	34mm Ano aluminum
	Spring	Air
	Damper	Roughcut HLR
	Adjustments	HS comp, LS comp, Rebound, Air spring
	Steerer	Taper Standard
	Axle	Thru Axle 110x15mm Boost
	Offset	51mm & 44mm
<b>Slide Roughcut RCP</b>	Weight	4.4 pounds / 2000 grams
	Wheel Size	29 inch
	Travel	100mm, 120mm, 140mm
	Stanchion	34mm Ano aluminum
	Spring	Air
	Damper	Roughcut RCP
	Adjustments	Three position platform, LS comp, Rebound, Air spring
	Steerer	Taper Standard
	Axle	Thru Axle 110x15mm Boost
	Offset	51mm & 44mm

# 07



## SWEEP Series

34mm Stanchion Tube 27.5 Inch Wheel Fork Up To 160mm of Travel



<b>Sweep RC</b>	Weight	4.4 pounds / 2000 grams
	Wheel Size	27.5 inch
	Travel	120mm, 140mm, 160mm
	Stanchion	34mm Ano aluminum
	Spring	Air
	Damper	RC Damper
	Adjustments	Compression(open to firm), Rebound, Air spring
	Steerer	Taper Standard
	Axle	Thru Axle 110x15mm Boost
	Offset	46mm
	Options	RC Remote
<b>Sweep Roughcut HLR</b>	Weight	4.4 pounds / 2000 grams
	Wheel Size	27.5 inch
	Travel	120mm, 140mm, 160mm
	Stanchion	34mm Ano aluminum
	Spring	Air
	Damper	Roughcut HLR
	Adjustments	HS comp, LS comp, Rebound, Air spring
	Steerer	Taper Standard
	Axle	Thru Axle 110x15mm Boost
	Offset	46mm
<b>Sweep Roughcut RCP</b>	Weight	4.4 pounds / 2000 grams
	Wheel Size	27.5 inch
	Travel	120mm, 140mm, 160mm
	Stanchion	34mm Ano aluminum
	Spring	Air
	Damper	Roughcut RCP
	Adjustments	Three position platform, LS comp, Rebound, Air spring
	Steerer	Taper Standard
	Axle	Thru Axle 110x15mm Boost
	Offset	46mm

# SLANT Series *For DJ bike and junior bike*

34mm Stanchion Tube 26 Inch Wheel Fork Up To 160mm of Travel



**Slant RC**

Weight	4.2 pounds / 1900 grams
Wheel Size	26 inch
Travel	120mm, 140mm, 160mm
Stanchion	34mm Ano aluminum
Spring	Air
Damper	RC Damper
Adjustments	Compression(open to firm), Rebound, Air spring
Steerer	Taper Standard
Axle	Lock-X 15mm(100mm)
Options	RC Remote
Offset	40mm
Standard Colors	Matte Black, Gloss Black

*Tune for 26 & 24 junior bike*

**Slant Roughcut HLR**

Weight	4.2 pounds / 1900 grams
Wheel Size	26 inch
Travel	120mm, 140mm, 160mm
Stanchion	34mm Ano aluminum
Spring	Air
Damper	Roughcut HLR
Adjustments	HS comp, LS comp, Rebound, Air spring
Steerer	Taper Standard
Axle	Lock-X 15mm(100mm)
Offset	40mm
Standard Colors	Matte Black, Gloss Black

**Slant Roughcut RCP**

Weight	4.2 pounds / 1900 grams
Wheel Size	26 inch
Travel	120mm, 140mm, 160mm
Stanchion	34mm Ano aluminum
Spring	Air
Damper	Roughcut RCP
Adjustments	Three position platform, LS comp, Rebound, Air spring
Steerer	Taper Standard
Axle	Lock-X 15mm(100mm)
Offset	40mm
Standard Colors	Matte Black, Gloss Black

**SLOPE STYLE/DIRT JUMP**

# TRACE 36 Series

36mm Stanchion Tube 29 Inch Wheel Fork Up To 170mm of Travel



**Trace 36 RC**

Weight	4.4 pounds / 2000 grams
Wheel Size	29 inch
Travel	140mm, 160mm, 170mm
Stanchion	36mm Ano aluminum
Spring	Air spring
Damper	RC Damper
Adjustments	Compression(Open to Firm), Rebound, Air spring
Steerer	Taper Standard
Axle	Thru Axle 110x15mm Boost
Offset	51mm & 44mm

**Trace 36 Roughcut HLR**

Weight	4.4 pounds / 2000 grams
Wheel Size	29 inch
Travel	140mm, 160mm, 170mm
Stanchion	36mm Ano aluminum
Spring	Air spring
Damper	Roughcut HLR
Adjustments	HS comp, LS comp, Rebound, Air spring
Steerer	Taper Standard
Axle	Thru Axle 110x15mm Boost
Offset	51mm & 44mm

**Trace 36 Roughcut RCP**

Weight	5.3 pounds / 2000 grams
Wheel Size	29 inch
Travel	140mm, 160mm, 170mm
Stanchion	36mm Ano aluminum
Spring	Air spring
Damper	Roughcut RCP
Adjustments	3 Positions platform, LS comp, Rebound, Air spring
Steerer	Taper Standard
Axle	Thru Axle 110x15mm Boost
Offset	51mm & 44mm

# VENGEANCE 38 Series

38mm Stanchion Tube 29 Inch Wheel Fork Up To 180mm of Travel



## VENGEANCE 38 Finecut HLR

Weight	2460 grams
Wheel Size	29 inch
Travel	160mm, 170mm, 180mm
Stanchion	38mm Anodized aluminum
Spring	Air
Damper	Finecut HLR
Adjustments	HS comp, LS comp, Rebound, Air spring
Steerer	Taper Standard
Axle	Thru Axle 110x15mm Boost
Offset	51mm & 44mm
Standard Colors	Gloss Black, Gloss Sand

**NEW**



Short Fender



Long Fender

**AM/ENDURO**



**HOLD NOTHING BACK!**



PURE DESCENT

# RV1 38 DH Series

38mm Stanchion Tube 29 Inch Wheel Fork Up To 200mm of Travel



## RV1 38mm Finecut HLR

Weight	2950 grams
Wheel Size	29 inch
Travel	200mm
Stanchion	38mm Anodized aluminum
Spring	Air
Damper	Finecut HLR
Adjustments	HS comp, LS comp, Rebound, Air spring
Steerer	1-1/8th
Axle	Thru Axle 110x20mm Boost
Offset	56mm & 46mm
Standard Colors	Gloss Black, Gloss Sand



Short Fender



Long Fender

14

# GRAND EPIC TOUR



15

## GET30 Series NEW

30mm Stanchion Tube 700C Wheel Fork Up To 50mm of Travel



### GET 30

Weight	2.9 pounds / 1340 grams
Wheel Size	700C
Travel	30mm, 40mm, 50mm
Stanchion	30mm Anodized aluminum
Spring	Air
Damper	Finecut RL2
Adjustments	Lockout, Rebound, Air spring
Steerer	Taper Standard
Axle	Thru Axle 100x12mm
Offset	51mm & 45mm
Standard Colors	Matte Black, Gloss Sand

### GET 30 RLR

Weight	2.9 pounds / 1340 grams
Wheel Size	700C
Travel	30mm, 40mm, 50mm
Stanchion	30mm Anodized aluminum
Spring	Air
Damper	Finecut RL2
Adjustments	Lockout, Rebound, Air spring
Steerer	Taper Standard
Axle	Thru Axle 100x12mm
Options	GET 30 Q Flip 2
Offset	51mm & 45mm
Standard Colors	Matte Black, Gloss Sand



GET30 Q Flip 2 Remote



JUNIOR

CITY

XC

AM

FR

DH

DIRT

GRAVEL

## XFUSION REZZA Shock Lightweight Precision for XC Performance

The all-new Rezza redefines XC suspension with cutting-edge technology and a lightweight design that is 10% lighter than our O2 PRO. It delivers the perfect balance of efficiency, support, and control for cross-country riders who demand the best.

Designed with a completely new damper system, the Rezza provides greater support in the final stroke, keeping you stable and composed on technical descents while maintaining efficiency on climbs. A larger negative air chamber improves small-bump sensitivity for a smoother ride, while the new adjustable negative volume spacer allows riders to fine-tune sag position to match their riding style.

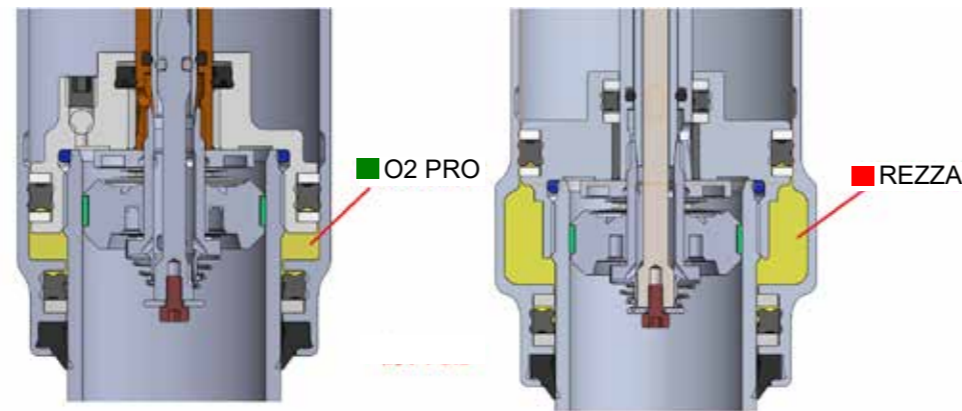
Available in metric and trunnion sizing, the Rezza comes in multiple configurations to suit every rider's needs. Choose from:

- RL – Rebound & Lockout
- RLX – Rebound & 3-Position Compression
- RLR – Rebound, Lockout & Lock with a new remote system
- RLXR – Rebound, 3-Position Compression & Lockout with a new remote system

With a sleek new design and refined damping performance, the Rezza is built for XC riders who expect more from their suspension. Whether charging to the finish line or pushing limits on the trail, this shock is ready to perform.



Greater support in the final stroke.



## REZZA Series

High-Performance XC Air Shock



<b>REZZA RL</b>	Weight	250 grams
	Spring	Air
	Adjustments	Rebound, Lockout, Air pressure
	Sizes	Metric and Trunnion
	Options	Polymer Hardware

<b>REZZA RLX</b>	Weight	250 grams
	Spring	Air
	Adjustments	3 Pos Comp Adjust, Rebound, Air pressure
	Sizes	Metric and Trunnion
	Options	Polymer Hardware

<b>REZZA RLR</b>	Weight	250 grams
	Spring	Air
	Adjustments	Q Flip Remote Lockout, Rebound, Air pressure
	Sizes	Metric and Trunnion
	Options	Polymer Hardware

<b>REZZA RLXR</b>	Weight	250 grams
	Spring	Air
	Adjustments	Q Flip Remote 3-Pos Comp Adjust, Rebound, Air pressure
	Sizes	Metric and Trunnion
	Options	Polymer Hardware



Q Flip 3 Remote  
Three position 4.7+4.7 Travel  
WEIGHT: 71g



# 02 PRO Series

High-Performance All CNC-Machined Aluminum Air Shock



### 02 Pro R

Weight 265 grams  
 Spring Air  
 Adjustments Rebound, Air pressure  
 Sizes All Standard, Metric and Trunnion  
 Options AV Air Sleeve, Polymer Hardware

### 02 Pro RL

Weight 265 grams  
 Spring Air  
 Adjustments Lockout, Rebound, Air pressure  
 Sizes All Standard, Metric and Trunnion  
 Options AV Air Sleeve, Polymer Hardware

### 02 Pro RLX

Weight 265 grams  
 Spring Air  
 Adjustments 3 Pos. Comp Adjust, Rebound, Air pressure  
 Sizes All Standard, Metric and Trunnion  
 Options AV Air Sleeve, Polymer Hardware



### 02 Pro RLR

Weight 265 grams  
 Spring Air  
 Adjustments Q Flip Remote Lockout, Rebound, Air pressure  
 Sizes All Standard, Metric and Trunnion  
 Options AV Air Sleeve, Polymer Hardware



Q Flip Remote



3pcs



7pcs



# H3A Series

New piggyback Air shock, 3 positions platform, low speed, rebound



**H3A HLR**

Weight 545 grams  
 Spring Air  
 Adjustments HS comp, LS comp, Rebound  
 Sizes Metric, Trunnion  
 Options Polymer Hardware



**H3A RCP**

Weight 515 grams  
 Spring Air  
 Adjustments 3 positions platform, Low speed, Rebound  
 Sizes Metric, Trunnion  
 Options Polymer Hardware



**BECAUSE EVERY WATT COUNTS!**

WHERE  
TRACTION RULES



# H3C Series

New piggyback Coil shock, Three positions platform, low speed, rebound



**H3C HLR**

Weight 350 grams(w/o spring)  
Spring Coil  
Adjustments HS comp, LS comp, Rebound  
Sizes Metric & Trunnion  
Options Polymer Hardware

**H3C RCP**

Weight 318 grams(w/o spring)  
Spring Coil  
Adjustments Three positions platform, Low speed, Rebound  
Sizes Metric, Trunnion  
Options Polymer Hardware





**E=EVOLUTION**

# E-MANIC 2 Series NEW

## E-MANIC 2: A New Era of Wireless Control

XRCS (XFUSION RAPID CONTROL SYSTEM) establishes a groundbreaking platform for the next generation of bicycles. By integrating speed, precision, and smart connectivity, it transforms traditional cycling into a more intuitive, high-performance experience.

- Next-Gen Internals: All-new gearbox and cartridge design for peak reliability.
- Frame Optimized: Shorter lower tube design—perfect for compact and smaller frame sizes.
- Superior Endurance: High-capacity Li-ion battery delivering over 6,000+ actuations.

Travel	100mm/125mm/150mm/170mm/200mm
Weight	700g(30.9/100mm) , 730g(30.9/125mm) , 750g(30.9/150mm) 770g(30.9/170mm) , 800g (30.9/200mm)
Sizes	30.9mm
Note	XRSC Remote Bluetooth 5.0
Waterproof	IPX7



Remote front



Remote rear

JUNIOR

CITY

**XC**

**AM**

FR



DH

DIRT

GRAVEL

# 26

## MANIC TA LC Series NEW

Full range dropper seat posts line with internal routing  

**100mm**  
**125mm**

Travel Weight Sizes Note  
100mm/125mm  
497 grams/530 grams(30.9mm)  
30.9mm, 31.6mm, 34.9mm  
Internal cable routing only

**150mm**  
**170mm**

Travel Weight Sizes Note  
150mm/170mm  
603 grams/636 grams(30.9mm)  
30.9mm, 31.6mm, 34.9mm  
Internal cable routing only



## MANIC LC Series

Full range dropper seat posts line with internal routing

**100mm**  
**125mm**

Travel Weight Sizes Note  
100mm/125mm  
497 grams/530 grams(30.9mm)  
30.9mm, 31.6mm, 34.9mm  
Internal cable routing only

**150mm**  
**170mm**

Travel Weight Sizes Note  
150mm/170mm  
603 grams/636 grams(30.9mm)  
30.9mm, 31.6mm, 34.9mm  
Internal cable routing only

**MANIC. BORN READY.**

- JUNIOR
- CITY
- XC**
- AM**
- FR
- DH
- DIRT
- GRAVEL

# 27

## MANIC TA Series NEW



Full range dropper seat posts line with internal routing

**100mm**  
**125mm**  
**150mm**

Travel Weight Sizes Note  
100mm/125mm/150mm  
416 grams/459 grams/521grams(30.9mm)  
30.9mm, 31.6mm and 34.9mm  
Internal cable routing only

**170mm**  
**200mm**  
**225mm**

Travel Weight Sizes Note  
170mm/200mm/225mm  
550 grams/595 grams/640grams(30.9mm)  
30.9mm, 31.6mm and 34.9mm  
Internal cable routing only

## MANIC Series

Full range dropper seat posts line with internal routing

**100mm**  
**125mm**  
**150mm**

Travel Weight Sizes Note  
100mm/125mm/150mm  
416 grams/459 grams/521grams(30.9mm)  
30.9mm, 31.6mm and 34.9mm  
Internal cable routing only

**170mm**  
**190mm**  
**200mm**

Travel Weight Sizes Note  
170mm/190mm/200mm  
550 grams(30.9mm)/694 grams(34.9mm)  
30.9mm, 31.6mm and 34.9mm  
Internal cable routing only



- JUNIOR
- CITY
- XC**
- AM**
- FR
- DH
- DIRT
- GRAVEL



# MANIC TA SL Series NEW



**100mm** Travel 100mm/125mm/150mm  
**125mm** Weight 404 grams/441 grams/489grams(30.9mm)  
**150mm** Sizes 30.9mm, 31.6mm and 34.9mm  
 Note Internal cable routing only

**170mm** Travel 170mm/200mm/230mm  
**200mm** Weight 512 grams/555 grams/607grams(30.9mm)  
**230mm** Sizes 30.9mm, 31.6mm and 34.9mm  
 Note Internal cable routing only

# MANIC GRAVEL Series

**50mm** Travel 50mm  
 Weight 420 grams  
 Sizes 27.2mm  
 Note Internal cabke routing only

**MANIC. BORN READY.**



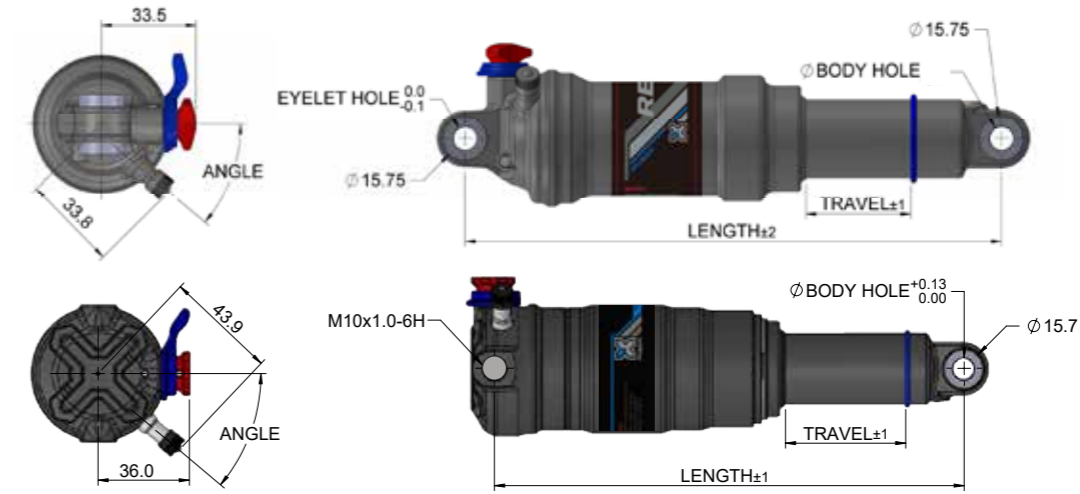
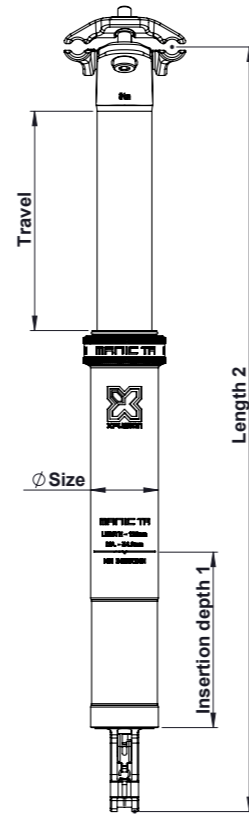
## SUSPENSION REMOTE SEPC.

Remote Number	Remote type	Photo of remote MANIC	Material	FORK	SHOCK	SEAT POST	I-SPEC 2	I-SPEC EV	MMX
1	Q FLIP 1		AL	✓	✓				
2	Q FLIP 2		AL	✓	✓		✓	✓	✓
3	Q FLIP 3		AL	✓	✓	✓	✓	✓	✓
4	GET 30 Q FLIP 1		AL	✓					
5	GET 30 Q FLIP 2		AL	✓		✓			

## DROPPER REMOTE SEPC.

Remote Number	Remote type	Photo of remote MANIC	Material	Angle adjustable	MANIC	MANIC TA	MANIC LC	MANIC TA LC	MANIC TA SL	MANIC GRAVEL	I-SPEC 2	I-SPEC EV	MMX
1	TYPE A+		AL	✓	✓	✓	✓	✓	✓		✓	✓	✓
2	TYPE P+		Plastic	✓	✓	✓	✓	✓	✓		✓	✓	✓
3	TYPE A		AL		✓	✓	✓	✓	✓		✓	✓	✓
4	TYPE P		Plastic		✓	✓	✓	✓	✓		✓	✓	✓
5	TYPE LC		Plastic		✓	✓	✓	✓	✓				
6	TYPE GR		AL							✓			

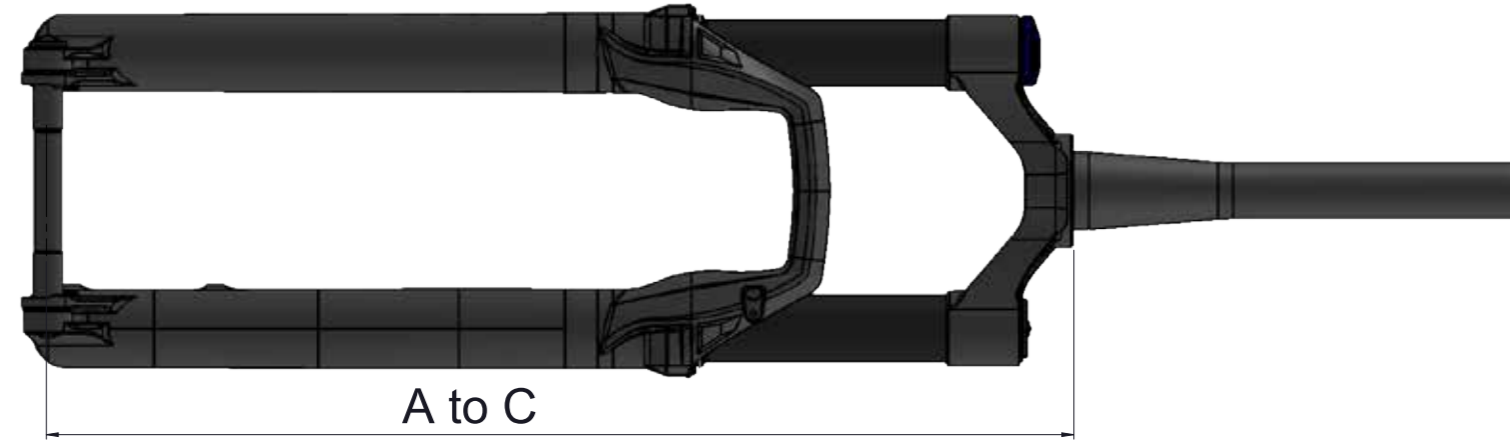
Posts	Category	Insertion Depth 1	Length 2	Sizes	Travel
Manic 50mm	Gravel	100/110/120mm	315/350/380mm	27.2	50mm
Manic LC 100mm	XC/Trail	80mm	340mm	30.9/31.6/34.9	100mm
Manic LC 125mm	XC/Trail/AM	90mm	391mm	30.9/31.6/34.9	125mm
Manic LC 150mm	XC/Trail/AM	100mm	455mm	30.9/31.6/34.9	150mm
Manic LC 170mm	XC/Trail/AM	140mm	499mm	30.9/31.6/34.9	170mm
Manic 100mm	XC/Trail	80mm	348mm	27.2/30.9/31.6/34.9	100mm
Manic 125mm	XC/Trail/AM	90mm	399mm	30.9/31.6/34.9	125mm
Manic 150mm	XC/Trail/AM	100mm	463mm	30.9/31.6/34.9	150mm
Manic 170mm	XC/Trail/AM	130mm	507mm	30.9/31.6/34.9	170mm
Manic 190mm	XC/Trail/AM	150mm	560mm	30.9/31.6/34.9	190mm
Manic 200mm	XC/Trail/AM	150mm	570mm	30.9/31.6/34.9	200mm
Manic TA LC 100mm	XC/Trail	80mm	340mm	30.9/31.6/34.9	100 / 90 / 80mm
Manic TA LC 125mm	XC/Trail/AM	90mm	391mm	30.9/31.6/34.9	125/115/105mm
Manic TA LC 150mm	XC/Trail/AM	100mm	455mm	30.9/31.6/34.9	150/140/130mm
Manic TA LC 170mm	XC/Trail/AM	140mm	499mm	30.9/31.6/34.9	170/160/150mm
Manic TA 100mm	XC/Trail	80mm	348mm	30.9/31.6/34.9	100 / 90 / 80mm
Manic TA 125mm	XC/Trail/AM	90mm	399mm	30.9/31.6/34.9	125/115/105mm
Manic TA 150mm	XC/Trail/AM	100mm	463mm	30.9/31.6/34.9	150/140/130mm
Manic TA 170mm	XC/Trail/AM	130mm	507mm	30.9/31.6/34.9	170/160/150mm
Manic TA 200mm	XC/Trail/AM	160mm	570mm	30.9/31.6/34.9	200/190/180mm
Manic TA 225mm	XC/Trail/AM	160mm	633mm	30.9/31.6/34.9	225/215/205mm
Manic TA SL 100mm	XC/Trail	80mm	336mm	30.9/31.6/34.9	100 / 90 / 80mm
Manic TA SL 125mm	XC/Trail/AM	90mm	386mm	30.9/31.6/34.9	125/115/105mm
Manic TA SL 150mm	XC/Trail/AM	100mm	446mm	30.9/31.6/34.9	150/140/130mm
Manic TA SL 170mm	XC/Trail/AM	130mm	486mm	30.9/31.6/34.9	170/160/150mm
Manic TA SL 200mm	XC/Trail/AM	160mm	546mm	30.9/31.6/34.9	200/190/180mm
Manic TA SL 230mm	XC/Trail/AM	160mm	611mm	30.9/31.6/34.9	230/220/210mm
E-Manic 2 100mm	XC/Trail/AM	80mm	345mm	30.9/31.6/34.9	100mm
E-Manic 2 125mm	XC/Trail/AM	90mm	395mm	30.9/31.6/34.9	125mm
E-Manic 2 150mm	XC/Trail/AM	100mm	44mm	30.9/31.6/34.9	150mm
E-Manic 2 170mm	XC/Trail/AM	130mm	485mm	30.9/31.6/34.9	170mm
E-Manic 2 200mm	XC/Trail/AM	150mm	545mm	30.9/31.6/34.9	200mm



SHOCKS												
Family	REZZA Series				O2 PRO Series				H3C Series		H3A Series	
Model	REZZA RL	REZZA RLX	REZZA RLR	REZZA RLXR	O2 PRO R	O2 PRO RL	O2 PRO RLX	O2 PRO RLR	RCP	HLR	RCP	HLR
Category	XC/Trail				XC/Trail/AM				XC/Trail/AM	DH	XC/Trail/AM	DH
Target Wt. Lbs/Grams	190(250g)				165(265g), 184 AV(297g)	165(265g), 184 AV(297g)	165(265g), 200 AV(300g)	165(265g), 200 AV(300g)	318g(w/o spring)	350g(w/o spring)	515g(w/o spring)	545g(w/o spring)
Spring	Air				Air				Coil		Air	
Adjustments	Rebound, Lockout	Rebound, 3 Positions Comp.	Rebound, Lockout	Rebound, 3 Positions Comp.	Rebound	Rebound, Lockout	Rebound, 3 Positions Comp.	Rebound, Lockout	3 Positions platform, LS comp, Rebound	HS comp, LS comp, Rebound	3 Positions platform, LS comp, Rebound	HS comp, LS comp, Rebound
Poly Hardware	Y	Y	Y	Y	Y	Y	Y	Y	Y	Y	Y	Y
AV Sleeve					Y	Y	Y	Y				
Remote Lockout			Q Flip 2	Q Flip 2				Q Flip				

POSTS							
Model	MANIC GRAVEL	Manic LC	MANIC	Manic TA LC	Manic TA	MANIC TA SL	E-MANIC 2
Category	Gravel	XC/Trail/AM	XC/Trail/AM	XC/Trail/AM	XC/Trail/AM	XC/Trail/AM	XC/Trail/AM
Travel	50mm	100, 125, 150, 170mm	100,125,150, 170,190,200mm	100, 125, 150, 170mm travel adjust	100,125, 150, 170, 200,225mm travel adjust	100,125, 150, 170, 200,230mm travel adjust	100/125/150/170/200mm
Weight Target	420g	497g(30.9/100mm) 530g(30.9/125mm) 603g(30.9/150mm) 636g(30.9/170mm)	416g(30.9/100mm),459g(30.9/125mm) 521g(30.9/150mm),550g(30.9/170mm) 694g(34.9/190mm),694g(34.9/200mm)	497g(30.9/100mm) 530g(30.9/125mm) 603g(30.9/150mm) 636g(30.9/170mm)	416g(30.9/100mm),459g(30.9/125mm) 521g(30.9/150mm),550g(30.9/170mm) 595g(30.9/200mm),640g(30.9/225mm)	404g(30.9/100mm),441g(30.9/125mm) 489g(30.9/150mm),512g(30.9/170mm) 555g(30.9/200mm),607g(30.9/230mm)	N/A
Outer Post Material	Aluminum	Aluminum	Aluminum	Aluminum	Aluminum	Aluminum	Aluminum
Small Inner Shaft Material	Black Ano	Black Ano	Black Ano	Black Ano	Black Ano	Black Ano	Black Ano
OD	27.2mm	30.9mm, 31.6mm, 34.9mm	30.9mm, 31.6mm, 34.9mm	30.9mm, 31.6mm, 34.9mm	30.9mm, 31.6mm, 34.9mm	30.9mm, 31.6mm, 34.9mm	30.9mm, 31.6mm
Color	Black	Black	Black	Black	Black	Black	Black
Remote	TYPE GR	TYPE A+,TYPE P+ TYPE A,TYPE P,TYPE LC	TYPE A+,TYPE P+ TYPE A,TYPE P,TYPE LC	TYPE A+,TYPE P+ TYPE A,TYPE P,TYPE LC	TYPE A+,TYPE P+ TYPE A,TYPE P,TYPE LC	TYPE A+,TYPE P+ TYPE A,TYPE P,TYPE LC	E-Remote
Notes	Internal cable routing only	Internal cable routing only	Internal cable routing only	Internal cable routing only	Internal cable routing only	Internal cable routing only	

REAR SHOCK SIZE CHART									
Standard Mount			Metric Mount			Trunnion Mount			
Eye to Eye	Stroke	Model	Eye to Eye	Stroke	Model	Eye to Eye	Stroke	Model	
165	38	O2 PRO	170	30/35	O2 PRO/REZZA	145	30/35	O2 PRO/REZZA	
184	44	O2 PRO	190	40/45	O2 PRO/REZZA	165	40/45	O2 PRO/REZZA	
190	51	O2 PRO	210	50/55	O2 PRO/H3C/H3A/REZZA	185	50/55	O2 PRO/H3C/H3A/REZZA	
200	51	O2 PRO	230	60/65	O2 PRO/H3C/H3A	205	60/65	O2 PRO/H3C/H3A	
200	56	O2 PRO	250	75	H3C / H3A	225	75	H3C / H3A	
215	63	O2 PRO							



## FORK TECH DOCUMENT

											1-1/8" ALUMINUM	1.5-1-1/8" TAPER	9mm QR	15x100	15x110	20x110	12x100	Disc Mount	Min	Max
20 Inch Forks	Category	Wheel Size	Stanchion	Spring	Travel	A to C	Max tire	Offset	Steerer	Axle Type	Style	Rotor Size								
ROAM 20	KID	20"	32mm	Air	80-120	430mm/120mm	69x539	40	v	v	Post 74mm	160 203								
24 Inch Forks	Category	Wheel Size	Stanchion	Spring	Travel	A to C	Max tire	Offset	Steerer	Axle Type	Style	Rotor Size								
ROAM 24	KID	24"	34mm	Air	100-160	515mm/160mm	69x641	41	v	v	Post 74mm	160 203								
26 Inch Forks	Category	Wheel Size	Stanchion	Spring	Travel	A to C	Max tire	Offset	Steerer	Axle Type	Style	Rotor Size								
SLANT	XC/Trail	26"	34mm	Air	100-160	546mm/160mm	62x705	40	v	v		180								
27.5 Inch Forks	Category	Wheel Size	Stanchion	Spring	Travel	A to C	Max Tire	Offset	Steerer	Axle Type	Style	Rotor Size								
Sweep Boost	XC/Trail	27.5"	34mm	Air	120-160	551mm/160mm	63x723	46	v	v		180								
29 Inch Forks	Category	Wheel Size	Stanchion	Spring	Travel	A to C	Max Tire	Offset	Steerer	Axle Type	Style	Rotor Size								
REZZA 29 Boost	XC/Trail	29"	34mm	Air	100-120	531mm/120mm	68x759	44	v	v		180								
SLIDE Boost	XC/Trail	29"	34mm	Air	100-140	551mm/140mm	68x760	44&51	v	v		180								
TRACE 36	Trail/AM/FR	29"	36mm	Air	140-170	581mm/170mm	68x760	44&51	v	v		180								
VENGEANCE 38	Trail/AM/FR	29"	38mm	Air	160-180	596mm/180mm	68x762	44&51	v	v		180								
RV1 38mm	AM/FR/DH	29"	38mm	Air	200	610mm/200mm	68x762	46&56	v	v	203	220								
700c Forks	Category	Wheel Size	Stanchion	Spring	Travel	A to C	Max tire	Offset	Steerer	Axle Type	Style	Rotor Size								
GET 30	GRAVEL	700C	30mm	Air	40, 50	445mm/50mm	52x732		v		Post 34mm	160 180								

**UNITED STATES - Elvy Suspension (MAIN SERVICE CENTER)**

Tel 775-285-7111  
E-Mail [service@elvysuspension.com](mailto:service@elvysuspension.com)  
add 400 Mill ST #105 Reno, NV 89502  
website <https://elvysuspension.com/>

**Full Suspension LLC**

Tel 704-230-9039  
E-Mail [Jon@Fullsuspension.com](mailto:Jon@Fullsuspension.com)  
add 233391 Rhinestone Rd, Wausau, WI 54403  
website <https://fullsuspension.com/>

**EUROPEAN SERVICE HEADQUARTERS**

**LEMON SHOX**  
Tel:+49 911 27460066  
Tel:mail@lemonshox.com  
add:Schleifweg 53 90409 Nürnberg Germany  
website:<http://www.lemonshox.com/>

**ANDORRA**

**ASZ DISTRIBUTION**  
Tel:+34 652 73 53 83  
E-Mail:pedidos@asz-distribucion.com  
add:Inmaculada 25, lonja 6, trasera AsZ  
Distribución, San Vicente de Baracaldo,  
Spain  
website:<https://www.asz-distribucion.com/>

**ANDORRA**

**ORING SUSPENSION CENTER(SERVICE)**  
Tel:+34 947719014  
Mobile:+34 722459002  
E-Mail:Taller@oringsuspensiones.com  
add:Calle Juan de Padilla N°6 Bajo 09006  
Burgos  
website:<https://oringsuspensiones.com/>

**ARGENTINA**

**XTR BIKES GARAGE**  
Tel +54 (299) 610-4906  
E-Mail [info@xtrbikes.com](mailto:info@xtrbikes.com)  
add Gatica 1137 Neuquén, 8300, Argentina  
website <https://xtrbikes.com/>

**AUSTRALIA(EAST)**

**CW WORKS**  
Tel:0424 755 114  
E-Mail:[cwworksau@gmail.com](mailto:cwworksau@gmail.com)  
add:127 Amber Cres, Narre Warren VIC 3805  
Australia  
website:<https://www.cwworks.com.au>

**AUSTRALIA(WEST)**

**RnR SUSPENSION SPECIALISTS**  
Tel:0428 263 668  
E-Mail:[mrsuspensionspecialist@gmail.com](mailto:mrsuspensionspecialist@gmail.com)  
add:2/12 Laurence Road Walliston, Western  
Australia 6076  
website:<https://www.mrsuspensionspecialists.com/>

**BENELUX**

**VD SPORT IMPORT**  
Tel:+31 (0) 629321900  
E-Mail:info@x-fusionshox.nl  
add:Boterwijksestraat 11, 5688 HX Oirschot,  
Netherlands  
website:<https://www.bikesuspension.nl/>

**BRAZIL**

**SCITEX IMP. COM. E SERV. LTDA.**  
Tel:tel (11) 5587-3662  
E-Mail:Scitex@scitex.com.br  
add:Rua Carneiro Da Cunha, 872 Sao Paulo,  
SP-04144-001  
website:[www.scitex.com.br](http://www.scitex.com.br)

**CANADA (EAST)**

**S4 SUSPENSION**  
Tel:450-504-1148  
E-Mail:gcaron@s4suspension.com  
add:801 Rue Pasteur Unit 103, Saint-Jérôme,  
QC J7Z 0E2 Canada  
website:[www.s4suspension.com](http://www.s4suspension.com)

**CANADA (WEST)**

**SUSPENSION WERX(SERVICE ONLY)**  
Tel:778-340-2013  
E-Mail:info@suspensionwerx.com  
add:1631 Welch St, North Vancouver, BC V7P 3G9 Canada  
website:[www.suspensionwerx.com](http://www.suspensionwerx.com)

**CHILE**

**BIKEPLANET CHILE(SALES)**  
Tel:+56-9-92261093  
E-Mail:ventas@bikeplanet.cl  
add:Lo Barnechea Santiago Chile  
website:<http://www.bikeplanet.cl/>

**CHINA**

**VOLARE**  
Tel:+86 0769 26981212  
E-Mail:124428661@qq.com  
add:2F,328 Tianxin Village Hongyuan Road Nancheng  
District Dongguan City  
website:<https://www.volare.com.cn/>

**CZECH REPUBLIC**

**SPORT PORT(SERVICE)**  
Tel:+420 773 776 964  
E-Mail:mancik@sportport.cz  
add:K Borovému 101 Říčany 251 00  
website:<https://www.sportport.cz/en/uvod/>

**CZECH REPUBLIC**

**KG BIKE**  
Tel:+420 608 018 374  
E-Mail:kgabike@seznam.cz  
add:Jaselská 1195/2 736 01 Havířov  
website:<https://www.sportport.cz/en/uvod/>

**FRANCE**

**EXACYCLE**  
Tel:+33 6 33 20 42 44  
E-Mail:info@exacycle.com  
add:254 Chem. des Vignes, 01500 Château-Gaillard, France  
website:<https://www.exacycle.com/>

**FRANCE**

**ROYAL SUSPENSION**  
Tel:+33 6 98 91 30 48  
E-Mail:arnaud@royalsuspension.com  
add:54700 Pont-à-Mousson, France  
website:<http://www.royalsuspension.com>

**GERMANY**

**LEMON SHOX**  
Tel:+49 911 27460066  
Tel:mail@lemonshox.com  
add:Schleifweg 53 90409 Nürnberg Germany  
website:<http://www.lemonshox.com/>

**HUNGARY**

**MR-PROJEKT BIKES**  
Tel:+36 70 318 3178  
E-Mail:info@mr-projekt.com  
add:Debrecen, Jerikó u. 25, 4032, Hungary

**INDONESIA**

**PT. WAHANA INTI UTAMA**  
Tel:+6221 8170178168  
E-Mail:frans.suryadi@bab-indonesia.com  
add:Jl. Alam Sutera Boulevard No.12a, Pakulonon,  
Serpong, Kota Tangerang Selatan, Banten 15325, Indonesia

**ITALY**

**SS38 BIKE LANA**  
Tel:+39 0473 491186  
E-Mail:info@ss38-bike.it  
add:Via Merano, 7, 39011 Lana BZ, Italy  
website:<https://www.mtb-suedtirol.com/>

**INDONESIA**

**Spartan Motor**  
Tel 081334531882  
E-Mail [spartanracingteamcirebon@gmail.com](mailto:spartanracingteamcirebon@gmail.com)  
add Jl. Ahmad Yani No.149, RT.001 RW001, Tepus,  
Ngadirejo, Kec. Kota, Kabupaten Kediri, Jawa Timur 64122  
website <https://www.instagram.com/spartan.suspension/>

**ISRAEL**

**RANOFUN**  
Tel:+972 4-952-2334  
E-Mail:ranofun@gmail.com  
add:Derech HaYam 3, Shavei Tzion, 2280600, Israel  
website:<https://www.ranofun.co.il/>

**JAPAN**

**GRAVITY LABS**  
Tel:+81 27-288-8177  
E-Mail:gravitylab191s@gmail.com  
add:421-4 Kogure, Fujimicho, Maebashi City, Gunma  
Prefecture  
371-0103  
website:<https://www.gravity-lab.com>

**KOREA**

**GS OUTDOOR**  
Tel:+82 070 8600 0846  
E-Mail:gsoutdoor@naver.com  
add:#301, Ace High Tech City Beomgye, 29, Simin-daero  
109beon-gil, Dongan-gu, Anyang-si, Gyeonggi-do,  
14042  
(Hogye-dong)  
website:[www.gsoutdoor.co.kr](http://www.gsoutdoor.co.kr)

**LUXEMBURG**

**VD SPORT IMPORT**  
Tel:+31 (0) 629321900  
E-Mail:info@x-fusionshox.nl  
add:Boterwijksestraat 11, 5688 HX Oirschot, Netherlands  
website:<https://www.bikesuspension.nl/>

**MALAYSIA**

**SEN AIK TRADING**  
Tel:+60 3-3358 6650  
E-Mail:yeann@senaik.com  
add:12-3-1, Jalan Setia Prima Q U13/Q, Setia Alam, Sek. U13  
Shah Alam, 40170 Shah Alam, Selangor, Malaysia  
website:[www.senaik.com](http://www.senaik.com)

**MEXICO**

**ELITE BIKE(SCOTT Bikes only)**  
Tel:+52 871 716 0795  
E-Mail:alma.fraire@elitebike-mx.com  
add:Blvrd Independencia 1199, San Isidro, 27100 Torreón, Coah.,  
Mexico  
website:<http://www.elitebike.mx/>

**MEXICO**

**DOS BIKEXTORE(MAIN SERVICE CENTER)**  
Tel:+52 442 688 48 92  
E-Mail:hola@bikextore.com  
add:Avenida Prolongación Tecnológico 700, Local 1, Plaza  
Fresnos, Colonia, Los Fresnos, 76150 Santiago de  
Querétaro, Qro., Mexico  
website:<https://www.bikextore.com/>

**MEXICO**

**VELOCI BIKES**  
Tel:+52 33 3283 1160  
E-Mail:hola@grupoveloci.com  
add:Circuito Grijalba No. 50, Santa Cruz de las Flores, 45640  
Tlajomulco de Zúñiga, Jal., Mexico  
website:<https://veloci.com.mx/>

**NETHERLANDS**

**VD SPORT IMPORT**  
Tel:+31 (0) 629321900  
E-Mail:info@x-fusionshox.nl  
add:Boterwijksestraat 11, 5688 HX Oirschot, Netherlands  
website:<https://www.bikesuspension.nl/>

**NEW ZEALAND**

**SHOCKCRAFT**  
Tel:+64 3 976 7790  
E-Mail:sales@shockcraft.co.nz  
add:58 Boundary Road, Alexandra 9320 NZ  
website:<https://www.shockcraft.co.nz/>

**NORWAY**

**Trondheim Sykkelservice**  
Tel (+47) 984 04 322  
E-Mail [post@trondheimsykkelservice.no](mailto:post@trondheimsykkelservice.no)  
add Osloveien 12, Trondheim, 7017, NORWAY  
website <https://trondheimsykkelservice.no/>

**PERU**

**STORM BIKE**  
Tel:+51 998 576 066  
E-Mail:hola@stormbikes.com  
add:Av. Emancipacion 835 interior 148 Lima, Perú  
website:<https://www.stormbikes.com.pe>

**PHILIPPINES**

**PEREGRINE MARKETING**  
Tel:+032 233 0352  
E-Mail:sales@peregrinebike.com  
add:E.O. Perez St. Subangdaku, North Reclamation, Mandaue  
City, Cebu

**PHILIPPINES**

**FAREN ENTERPRISES**  
Tel:09177730544  
E-Mail:sam\_estimo@yahoo.com  
E-Mail:info@scenter.ch  
add:59-Bansalangin Street, Project 7, Quezon City,  
Metro Manila

**PHILIPPINES**

**CHEAB BICYCLE PARTS SUPPLY**

**POLAND**

**SPIDER SUSPENSIONS**  
Tel:+48 513 323 323  
E-Mail:biuro@spidersuspensions.com  
add:1 Maja 251, 41-710 Ruda Śląska, Poland  
website:<https://spidersuspensions.com/>

**PORTUGAL**

**ORING SUSPENSION CENTER**  
Tel:+34 947719014  
Mobile:+34 722459002  
E-Mail:Taller@oringsuspensiones.com  
add:Calle Juan de Padilla N°6 Bajo 09006 Burgos  
website:<https://oringsuspensiones.com/>

**PORTUGAL**

**ASZ DISTRIBUTION**  
Tel:+34 652 73 53 83  
E-Mail:pedidos@asz-distribucion.com  
add:Inmaculada 25, lonja 6, trasera AsZ  
Distribución, San Vicente de Baracaldo, Spain  
website:<https://www.asz-distribucion.com/>

**RUSSIA**

**TEAMMANO CO.**  
Tel:+7 926 695 20 40  
E-Mail:shop@teammano.ru  
add:Moscow, Schelkovskoe shosse, 3, building 1 Hobby  
shopping center, pavilion 003, -1st floor  
website:<https://teammano.ru/>

**SINGAPORE**

**CUSTOM BIKE CO.**  
Tel:+65 8822 0122  
E-Mail:custombikecosg@gmail.com  
add:2 Jalan Lokam, #01-02, Kensington Square,  
Singapore 537846. (Along Upper Paya Lebar Road)  
website:<https://cbcs.business.site/>

**SLOVENIA**

**COMTRON D.O.O.**  
Tel:+386 2 300 35 15  
E-Mail:econo@comtron.si  
add:Tržaška cesta 21, 2000 Maribor, Slovenia  
website:<https://econo.eu/>

**SPAIN**

**ORING SUSPENSION CENTER**  
Tel:+34 947719014  
Mobile:+34 722459002  
E-Mail:Taller@oringsuspensiones.com  
add:Calle Juan de Padilla N°6 Bajo 09006 Burgos  
website:<https://oringsuspensiones.com/>

**SPAIN**

**ASZ DISTRIBUTION**  
Tel:+34 652 73 53 83  
E-Mail:pedidos@asz-distribucion.com  
add:Inmaculada 25, lonja 6, trasera AsZ  
Distribución, San Vicente de Baracaldo, Spain  
website:<https://www.asz-distribucion.com/>

**SOUTH AFRICA**

**ROBBIE'S BICYCLE CONCEPT(SERVICE)**  
Tel:+27 41 110 0555  
E-Mail:info@rbco.co.za  
add:Unit 8, Moffett Business Centre, 104 Restitution  
Road, Port Elizabeth  
website:<https://www.rbco.co.za/>

**SWITZERLAND**

**SUSPENSION CENTER**  
Tel:+41 31 809 30 20  
E-Mail:info@scenter.ch  
add:Gurnigelstrasse 11 CH-3132 Riggisberg  
website:<https://suspensioncenter.ch/>

**SWEDEN**

**FSSUPPORT.SE**  
Tel:+46 70 849 3107  
E-Mail:info@fssupport.se  
add:Sandbacka 104, 444 94 Ucklum, Sweden  
website:<https://fssupport.se/>

**TAIWAN**

**IRON STABLE**  
Tel:04 2557 5422  
E-Mail:contact@ironstable.com.tw  
add:No. 260, Kuang-Cheng Lane, Nei-Tung Rd Houli Shiang,  
Taichung Country  
website:<https://www.ironstable.com.tw/>

**THAILAND**

**RAJA CYCLE CO. LTD.**  
add:ต.น. 260, Kuang-Cheng Lane, Nei-Tung Rd Houli Shiang,  
Prakan District, Samut Prakan 10280, Thailand  
website:<https://www.optima.bike/>

**TURKEY**

**KRON BISIKLET**  
Tel:444 68 10  
E-Mail:info@kronbisiklet.com.tr  
add:7. Cad. No:11, 34956 Tepeören Osb/Tuzla/Istanbul  
website:<https://www.kronbisiklet.com.tr/>

**UNITED KINGDOM**

**UPGRADE BIKES LTD**  
Tel:+44 1403 711611  
E-Mail:Info@Upgradebikes.co.uk  
add:Units A-B Star Road, Partridge Green, Horsham RH13 8RA, UK  
website:<https://www.upgradebikes.co.uk/>

**UNITED STATES**

**JBI BIKE**  
Tel: (305) 238-1866  
add:11925 SW 128th St, Miami, FL 33186 USA  
website:<https://www.jbi.bike/site/>

**UNITED STATES**

**QUALITY BICYCLE PRODUCTS**  
Tel:+1 952 941 9391  
E-Mail:sales@qbp.com  
add:6400 W 105th Street Bloomington, MN 55438, USA  
website:<https://www.qbp.com/>

**UNITED STATES**

**BICYCLE TECHNOLOGIES INTERNATIONAL**  
Tel: (800) 558-8324  
E-Mail:accounts@bti-usa.com  
add:33 Velocity Way, Santa Fe, NM 87508, USA  
website:<https://www.bti-usa.com/>

XFUSION is executing a low-carbon and green energy transformation strategy since **2015**

we are committed to producing **eco-friendly** products.



XFUSIONSHOX.COM

XFUSION

XFUSION RIDER: WESTON LUKENS.  
11 YEARS OLD. RIDING WITH THE ELITE.  
PRO-LEVEL DEBUT AT FREERIDE FIESTA & ELITE INVITATIONALS.



**A-PRO TECH CO., LTD.**

No. 100, Nanbei 1<sup>st</sup> Road, Dajia District,  
Taichung City 437, Taiwan

TEL : +886 4 2688-6555